

# ETATRACK active 600

## Single-axis Tracking System for PV Modules

### Characteristics

- total module surface up to c. 6.0 m<sup>2</sup>
- no failure-prone light sensor
- no unnecessary tracking movements
- low power consumption (c. 1 kWh/year)
- statics according to German and European standards
- high reliability and life-expectancy
- excellent serviceability
- cost-efficient tracking system
- assembly by one person possible

### Application

- single-axis tracking system for PV modules\*
- additional energy yield of up to 40 % compared to fixed installations

### Design

#### Tracking Unit

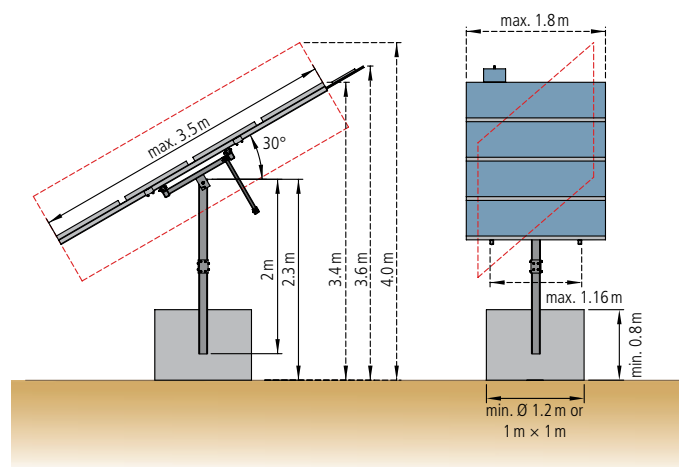
- single-axis tracking system
- angle of second axis adjustable 0–50° in steps of 10°
- elevation East-West: 90°
- module surface up to c. 6.0 m<sup>2</sup>  
max. dimensions of mounted frames (supportive area, installation area PV modules): width: 1.16 m, height: 3.5 m
- frame and pole: steel, hot-dip Zn-coated
- screw set: steel, Zn-coated
- module clamps made of stainless steel for mounting the PV modules using the holes in the module frame, incl. M6 stainless steel screw kits
- suitable for high wind speeds: statics according to German and European standards
- suitable for ground level installation
- low energy consumption: c. 1 kWh/year
- maintenance-free

#### Control

- electronics incl. battery in plastic housing
- supply voltage: 12V DC (nominal voltage) up to 50V<sub>oc</sub> (open-circuit voltage), by one of the tracked modules\*\*
- stepwise tracking, depending on the daily sunshine duration (length of day)
- South position in darkness
- synchronisation of multiple units possible
- standby mode in periods of low irradiation\*\*\*



picture may differ from actual product



#### Drive

- DC linear drive
- maintenance-free

#### Foundation

- concrete foundation with steel reinforcement (min. 1.2 m<sup>3</sup>)

#### Storage and Operating Conditions

- ambient temperature range: –25 °C to +50 °C
- daily average ambient humidity: max. 80 %
- air salinity: max. 2 µg/m<sup>3</sup>, or distance from coast: min. 1 km
- altitude: –400 m to +3,000 m MSL
- for detailed description of ambient conditions for safe operation, cf. installation manual
- designs for other conditions on request

#### Included in Delivery

- kit tracking unit
- module clamps (cf. design): 28 sets per tracking unit for 7 PV modules
- fixation for optional PV module (5 or 10Wp), incl. 2 sets module clamps\*\*
- control
- drive
- installation manual

#### Packing

- box 1: 1.18 × 0.34 × 0.12 m, 55 kg
- box 2: 1.18 × 0.39 × 0.14 m, 42 kg
- palletisable, standard EURO-pallet

\* for framed PV modules according to IEC 61215, UL 1703

\*\* for safe operation in specific system designs, an additional PV module (5 or 10Wp) might be necessary, cf. installation manual

\*\*\* for safe operation, cf. installation manual